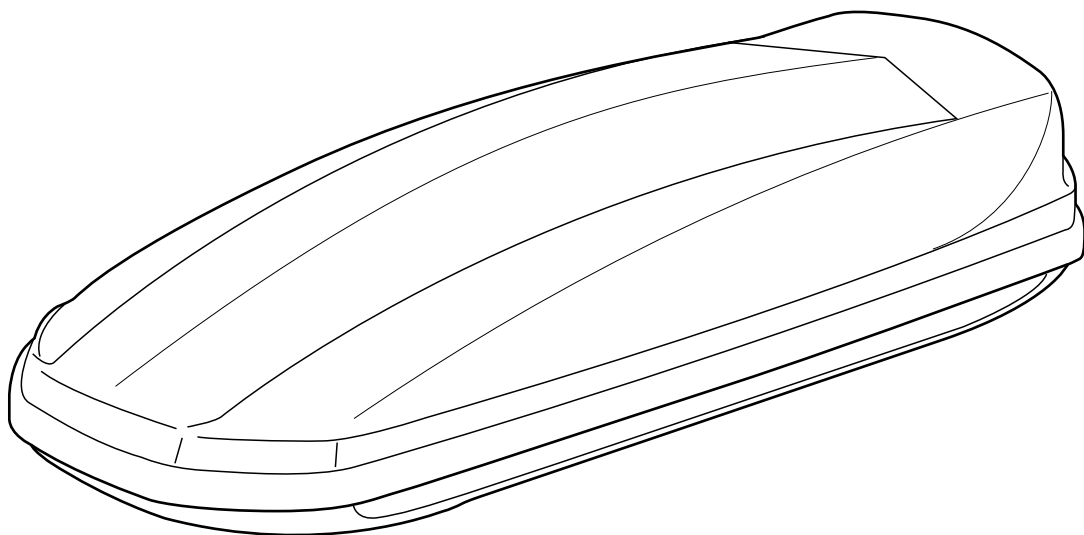


halfords

Fitting instructions

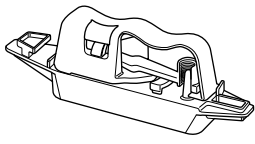
Halfords Exodus 360, 470, 580 roof boxes



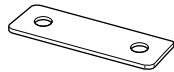
60Kgs

Weight capacity

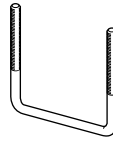
Exodus boxes



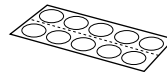
x4



x4



x4



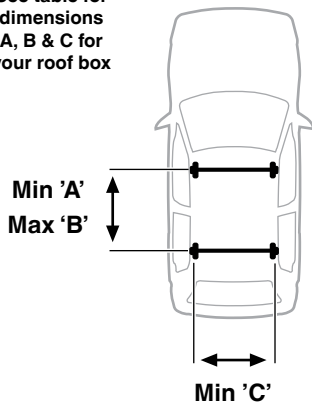
x1



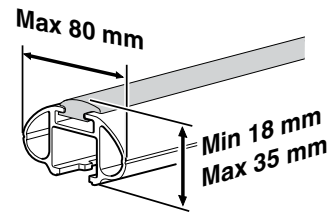
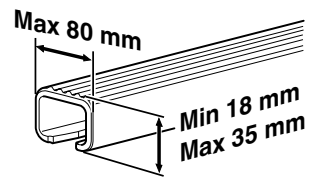
x2

Roof bar types

See table for dimensions A, B & C for your roof box

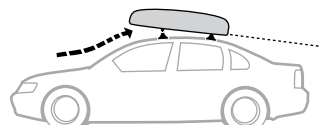
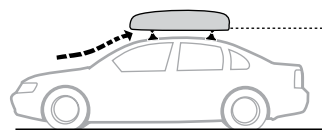
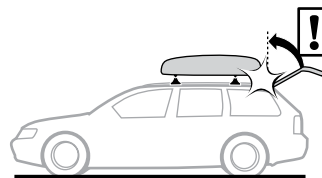
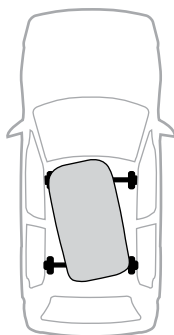
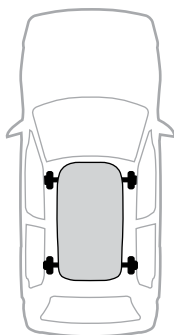


Ensure that the roof box you have purchased will fit your car and that your roof bars are of a suitable size to fit the fitting kit supplied with this roof box.

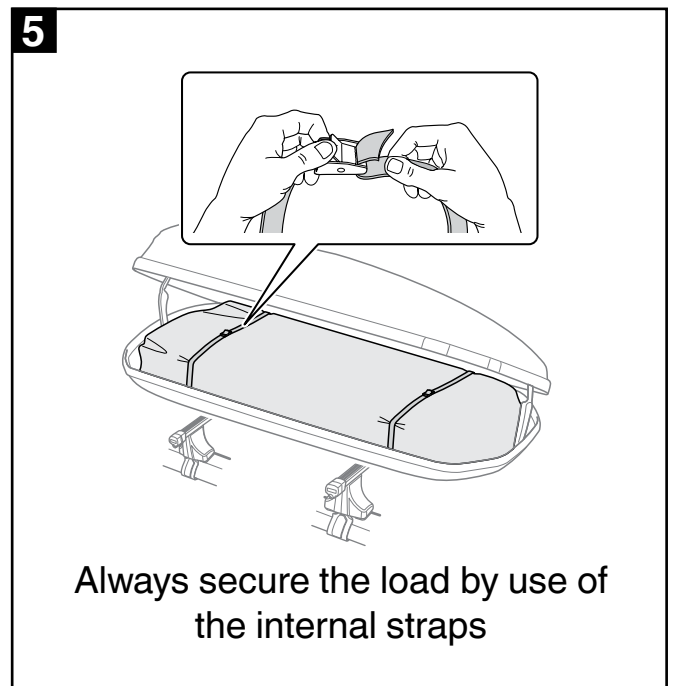
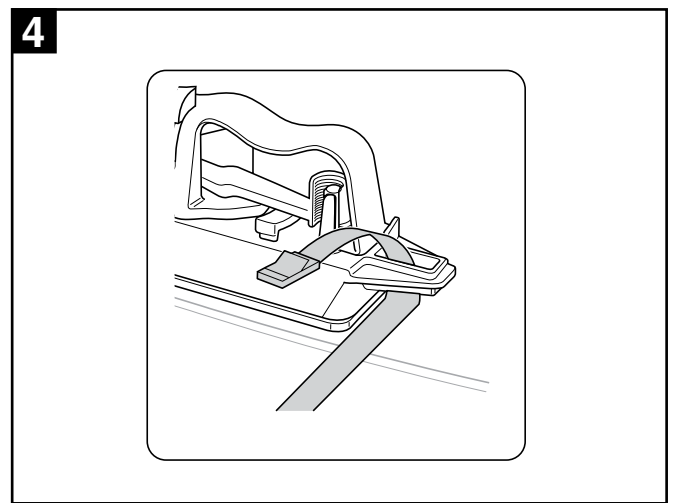
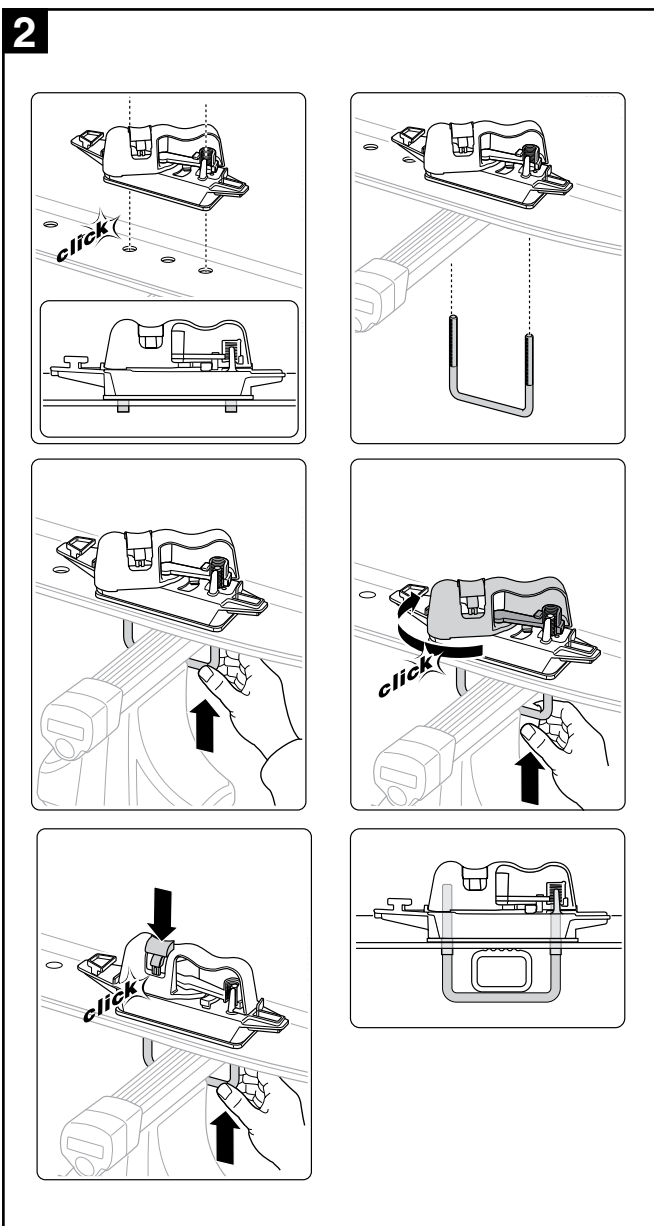
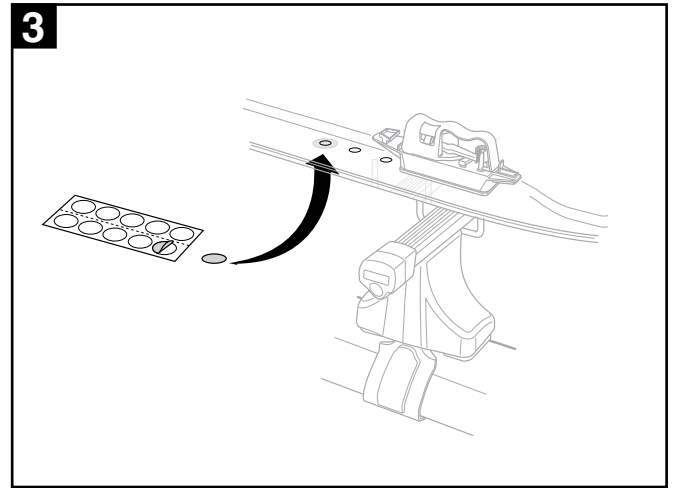
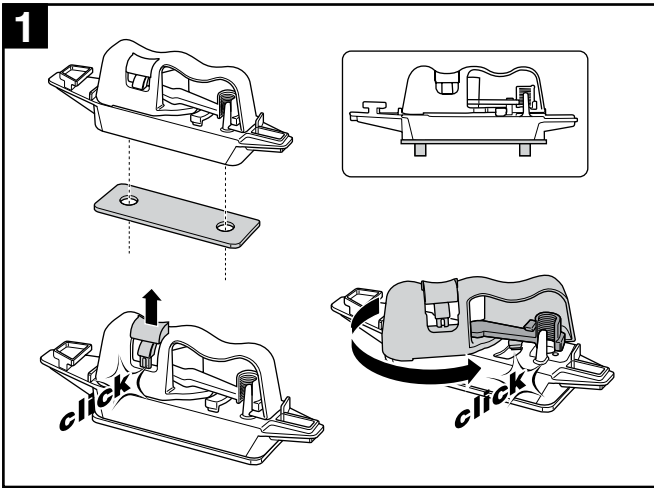


Which roof box will fit your vehicle?

	Dimension A	Dimension B	Dimension C
Exodus 360	550mm	980mm	465mm
Exodus 470	550mm	980mm	700mm
Exodus 580	550mm	980mm	750mm

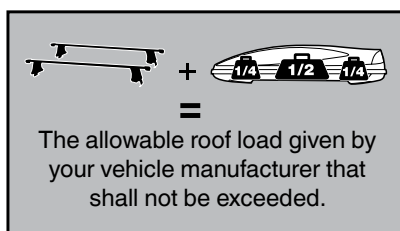
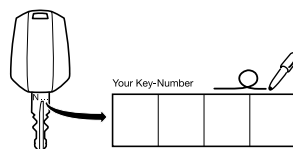
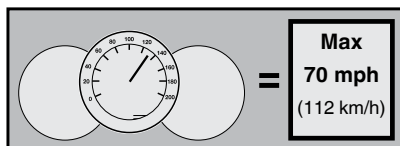
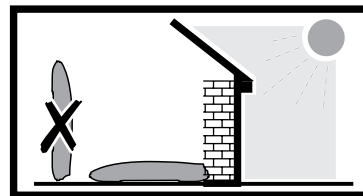
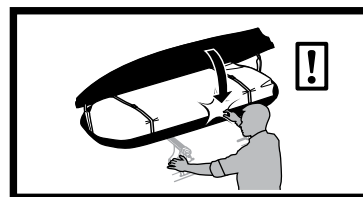
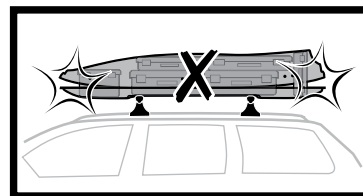
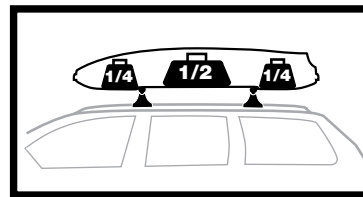
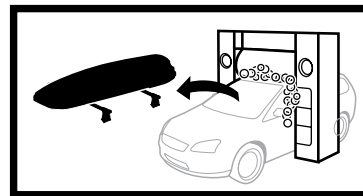
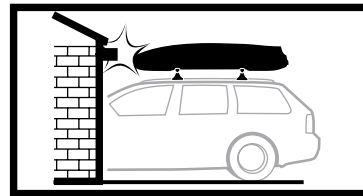
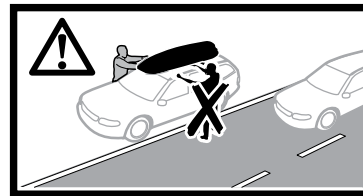
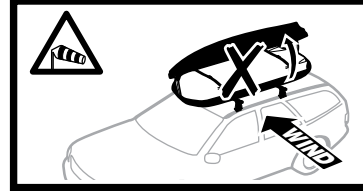
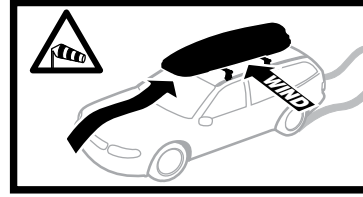
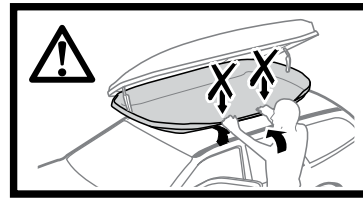


Mounting instructions for the quick fit system supplied with the Exodus roof boxes.



Important information

1. Check at regular intervals (depending on the state of roads) both before and during each journey that the roof box is firmly fixed to the roof bars, the load is adequately secured and the roof box is locked with the key removed
2. Inadequately secured loads and incorrectly mounted roof bars and roof boxes can come loose during a journey and cause serious accidents.
3. Ensure you give due consideration to the change in height and drive behaviour (side-wind sensitivity, corner and braking behaviour) of your vehicle when a roof box is mounted and, above all, loaded. No further loads may be attached to the outside of the roof box.
4. The total permissible laden weight of your vehicle may not be exceeded. The instructions of the motor vehicle manufacturer in respect of the maximum roof weight must be observed.
5. The speed driven must be suited to the load to be transported and, of course, to all relevant official speed limits. In the absence of any speed limits to the contrary, we recommend a maximum speed of 70 mph. When transporting any type of load, the speed of your vehicle must however take into account all prevailing conditions such as the state of the road, the surface of the road, traffic conditions, wind, etc.
6. Do not use bleach, alcohol or ammonia based cleaning liquids on the roof box otherwise the surface of your roof box could suffer damage. Please note the following when using a roof box: -
 - The height of your vehicle can increase by up to 70cm (dependant on the roof bars).
 - Beware of low garage entrances, low clearances in general, low-hanging branches, etc.
 - Wind noise may be generated.
 - When using an automatic car-wash facility, the roof box and roof bars must first be removed.
 - In addition to these usage instructions, due consideration should also be given to mounting instructions for your roof bars and the operating instructions of your vehicle.
 - For reasons of fuel economy and the safety of other road users, the roof box and roof bars should be removed when not in use.
 - For your safety, you should only use tested (e.g. GS-tested) roof bars that are authorised for usage in conjunction with your vehicle.
 - In order to avoid generating excessive lifting forces, the roof box should be mounted parallel to the line of the road and not at an angle.
8. These usage instructions should be kept together with your vehicle's operating instructions and carried in the vehicle when in use and en route. Any changes made to the mounting sets and roof box as well as the use of spare parts or accessories other than those supplied by the manufacturer will lead to the manufacturer's warranty and liability for any material damage or accidents lapsing. You should therefore observe these usage instructions to the letter and only use the original parts supplied. In the event of you losing parts or parts wearing out, you should only replace them with original spare parts that can be obtained from a specialist stockist or the manufacturer.
9. In order to ensure that you are able to replace any lost or defective keys as quickly as possible, we would advise you to note down the key number below.
10. **The manufacturer is not liable for any damage or accident that may occur as a result of non-compliance with these usage instructions, changes made to parts or usage of any parts other than the manufacturer's original parts.**



Security Recommendations