

POWERBASE →



Cordless Drill

Instruction Manual

Please retain this manual for reference

Article Number: 676166

Contents

Section	Page
Contents	2
Introduction and Guarantee	3
General Safety Instructions	4-7
Specific Safety instructions	8
Electrical Information	9
Components and controls	10
Operating Instructions	11-13
Technical Information	14

Guarantee

CERTIFICATE OF GUARANTEE.

The manufacturer guarantees this machine for 1 Year with effect from the date of purchase. This guarantee does not cover machines intended for hire. We will replace any parts found to be defective due to a fault or manufacturing defect. The guarantee will under no circumstances extend to reimbursement or payment of damages, whether direct or indirect. Neither does the guarantee cover the following: consumable accessories, misuse, use for professional purposes and costs incurred by carriage and packing of the equipment, which will at all times be borne by the customer. Any item sent for repair collect will be refused. It is further understood that should the machine be modified in any way or used with unauthorised accessories without the manufacturer's consent the guarantee will automatically be rendered invalid. The manufacturer declines any responsibility as regards civil liability arising from misuse of the machine or failure to comply with the relevant operating, setting and maintenance instructions. Assistance under the guarantee will only be admissible if the request is addressed to the approved after-sales service centre together with proof of purchase. As soon as you have purchased the product, we recommend that you check to make sure it is intact and that you read the operating instructions carefully before using it.

Statutory Rights

This guarantee is in addition to and in no way affects your statutory rights.

Introduction

Dear Customer

Thankyou for purchasing this product which has passed through our extensive quality assurance process. Every care has been taken to ensure that it reaches you in perfect condition. However, in the unlikely event that you should experience a problem, or if we can offer any assistance or advice please do not hesitate to contact our customer care department. For details of your nearest customer care department please refer to the telephone numbers at the back of this manual.

Safety first

Before attempting to operate this power tool the following basic safety precautions should always be taken to reduce the risk of fire, electric shock and personal injury. It is important to read the instruction manual to understand the application, limitations and potential hazards associated with this tool.

POWERBASE

GENERAL SAFETY INSTRUCTIONS

Before attempting to operate this machine, it is important that you read, understand and follow these instructions very carefully. They are designed for the safety of yourself and others ensuring a long and trouble free service life from your machine.

SAFE OPERATION

Know Your Power Tool

It is important that you read and understand your instruction manual and any label attached to the power tool. Learn its applications as well as its limitations and the potential hazards associated with this power tool.

Work Area

Cluttered benches and work areas invite accidents. Workbenches should be kept tidy. Floors should be kept clean and free from rubbish. Special care should be taken where the floor is slippery due to sawdust or wax.

Work Environment

Do not expose your power tools to rain, or use in damp or wet locations. Keep the work area well lit. Do not use power tools in areas where there is a risk of explosion or fire from combustible materials, flammable liquids, paint, varnish, petrol etc. flammable gases and dust of an explosive nature. As a precaution it is recommended that you consult an expert on a suitable fire extinguisher and its use.

Guard Against Electric Shock

Avoid body contact with earthed or grounded surfaces (e.g. pipes, radiators, ranges, and refrigerators).

Beware Children and Pets

Children and pets should be kept out of the work area. Children should not be allowed to touch or operate machinery or touch extension cords. All power tools should be kept out of the reach of children, preferably stored or locked in a secure cabinet or room when not in use.

Do Not Force the Power Tool

The power tool will do a better and safer job and give you much better service if it is used at the rate for which it was designed.

Use the right tool

Select the right tool for the job. Do not use a tool for a job for which it was not designed. Do not force a small tool to do the job of a heavy-duty tool. Do not use tools for purposes not intended; for example do not use a circular saw to cut tree limbs or logs.

Personal safety

Clothing

Do not wear loose clothing, jewellery or anything that could get caught in moving machinery.

POWERBASE

Hair

Long hair should be tied back or contained in a protective covering.

Eye Protection

The use of safety goggles is a mandatory requirement (normal glasses are not sufficient for eye protection). Prescription spectacles do not have safety lenses.

Ear Protection

Ear protection is advised during periods of extended operation.

Footwear

Where there is a risk of heavy objects damaging feet or if there is a risk of slipping on wet or slippery floors suitable non-slip safety footwear should be worn.

Head Protection

Where there is a risk of falling objects or hitting your head on protruding or low level obstructions a hard hat should be worn.

Respiratory Protection

When the machining operation creates dust, wear a dust mask. When machining concrete, man made fibre boards, especially MDF (Medium Density Fibre Board) the resin used in these materials can be hazardous to your health. Use an approved face mask with replaceable filter.

Dust Extraction Equipment

If the machine is fitted with dust extraction and collection facilities ensure that these are properly connected and used.

Do Not Abuse the Power Cord

Never yank or pull on the power cord to disconnect it from the mains supply socket. Never carry your power tool by its power cord. Keep the power cord away from heat, oil, solvents and sharp edges. If the power cord becomes damaged have it replaced by an authorised service facility.

Secure the Work Piece

Wherever possible secure the work piece using clamps or a vice. It is safer than using your hand and leaves both hands free to control the power tool.

Do Not Over-reach

Do not over-reach, keep proper footing and maintain your balance at all times.

Maintain Tools with Care

Keep cutting tools sharp and clean for better and safer performance.

Follow the instructions for lubricating and changing accessories.

Check the tool power cord periodically and if damaged have it replaced by an authorised service facility.

POWERBASE

Inspect extension cords periodically and if damaged replace it.

Keep handles dry, clean and free from oil and grease.

Ensure that ventilation slots are kept clean and free from dust at all times. Blocked ventilation slots can cause overheating and damage to the motor.

Disconnect Power Tools

Ensure that power tools are disconnected from the mains supply when not in use, before servicing, lubricating or making adjustments and when changing accessories such as blades, bits and cutters.

Remove Adjusting Keys and Wrenches

Form the habit of always checking to see that keys and adjusting wrenches are removed from the power tool before turning it on.

Avoid Unintentional Starting

Ensure that the switch is in the OFF position before plugging the power tool into the mains supply.

Extension Cords and Reels

DO NOT use 2 core extension cords or reels on power tools with an earth path. Always use a 3 core extension cord or reel with the earth core connected to earth.

When the power tool is to be used outdoors, use only extension cords intended for outdoor use and are so marked.

Always unwind any extension cords fully.

For extension cords upto 15 metres use a wire cross section of 1.5mm².

For extension cords over 15 metres but less than 40 metres use a wire cross section of 2.5mm²

Always replace a damaged extension cord before using it.

Protect your extension cord from sharp objects, excessive heat and damp or wet locations.

Stay Alert

Watch what you are doing, use common sense, and do not operate the power tool when you are tired, if taking medication that causes drowsiness, when having consumed alcohol or taken drugs.

Check Damaged Parts

Before using the power tool it should be carefully checked to determine that it will operate properly and perform its intended function.

Check for the correct alignment of moving parts ensuring they do not bind. Check for broken or missing parts and have them replaced or repaired at an authorised service centre. If the power tool requires mounting make sure it is securely attached to a suitable work bench. Check any other condition that may affect the operation of the power tool.

A guard or any other part of the power tool that is damaged should be properly repaired or replaced by an authorised service centre unless otherwise indicated in this instruction manual.

Any switch that does not operate correctly must be replaced by an authorised service centre.

Do not use the power tool if the ON/OFF switch does not turn the power tool ON and OFF.

Warning!

Do not attempt to modify the power tool in any way. The use of any attachment or accessory other than those recommended in this instruction manual could result in damage to the power tool and injury to the operator.

POWERBASE

Have your power tool repaired by a qualified person.

This electric power tool complies with national and international standards and safety requirements. Repairs should only be carried out by qualified persons using original spare parts. Failure to do so may result in considerable danger to the user.

Protect Furnishings

If using the power tool inside your house protect furnishings and floors with a suitable dust sheet.

Fire Precautions

When using certain power tools inside your house or workshop general fire precautions should be observed. As a precaution it is recommended that an expert is consulted on obtaining and using a suitable fire extinguisher.

Specific safety instructions

Cordless hammer drill

Keep drills, drivers and other cutters sharp and in good condition. This will improve cutting and reduce the load on the machine ensuring a longer life of the cutting tools and the machine.

Use only drill bits, drivers and cutters recommended by the manufacturer.

Do not attempt to modify the machine or its accessories in any way.

Do not force the machine, let the machine do the work this will reduce the wear on the machine and cutter and increase its efficiency and operating life.

Use approved safety glasses or goggles, face mask and ear defenders when used for prolonged periods.

When using the machine above head height wear an approved safety helmet as well as approved safety glasses or goggles and an approved face mask.

Be aware of the high torque reaction when drilling especially when drilling masonry

When drilling masonry do not force the drill into the work piece, let the drill and hammer action do the work

Do not try and change any of the selector switches while the motor is running. Doing so could damage the machine.

Always remove the battery pack when the drill is not being used.

Do not carry the drill with your finger on the trigger. Always select the neutral position of the direction of rotation lever, this will prevent accidental starting of the drill.

Specific Safety Instructions

Re-chargeable batteries

Batteries may leak or explode if not handled correctly. Always observe the following precautions when handling batteries.

Ensure that the machine is switched off before removing or fitting batteries.

Do not use this battery with any other product.

Do not attempt to fit the battery the wrong way round.

Do not short out, or attempt to dismantle the battery.

Do not expose the battery to flames or excessive heat.

Do not immerse in or expose the battery to water.

Do not store or transport the battery with loose metal objects such as drill and driver bits.

Batteries are prone to leakage when discharged. To avoid damage to the product, remove or re-charge the battery when no charge remains.

Store the battery in a cool place when not in use.

After prolonged use the battery may become hot. Before removing the battery, switch the machine off and allow the battery to cool down.

Do not use the battery if you notice any discoloration or distortion of the battery casing.

Do not dispose of the battery by incineration or in the domestic waste system. Take the battery to an approved recycling or disposal facility.

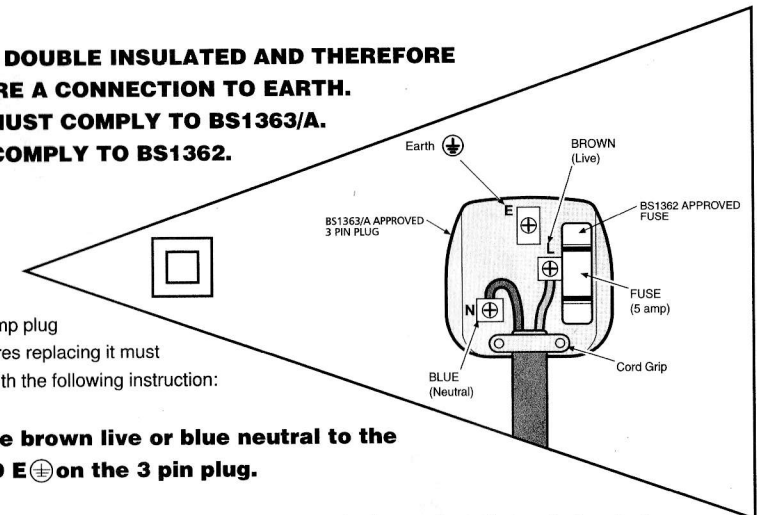
Electrical information. 5A Double Insulated Mains Plug CONNECTION OF THE MAINS PLUG

Important! The wires in the mains lead fitted to this product are coloured in accordance with the following code:

Brown: Live (L)

Blue: Neutral (N)

**THIS CHARGER IS DOUBLE INSULATED AND THEREFORE DOES NOT REQUIRE A CONNECTION TO EARTH.
THE 3 PIN PLUG MUST COMPLY TO BS1363/A.
THE FUSE MUST COMPLY TO BS1362.**



If for any reason the 13 amp plug fitted to this product requires replacing it must be wired in accordance with the following instruction:

Do not connect the brown live or blue neutral to the earth pin MARKED E ⊕ on the 3 pin plug.

Connect the Blue wire to the terminal marked Neutral (N). Connect the Brown wire to the terminal marked Live (L). Ensure that the outer insulation is gripped by the cord grip and that the wires are not trapped when replacing the plug cover. The mains lead on this product is fitted with a 13 amp (BS1363/A) plug. A 5 amp (BS1362) fuse must be fitted in the plug.

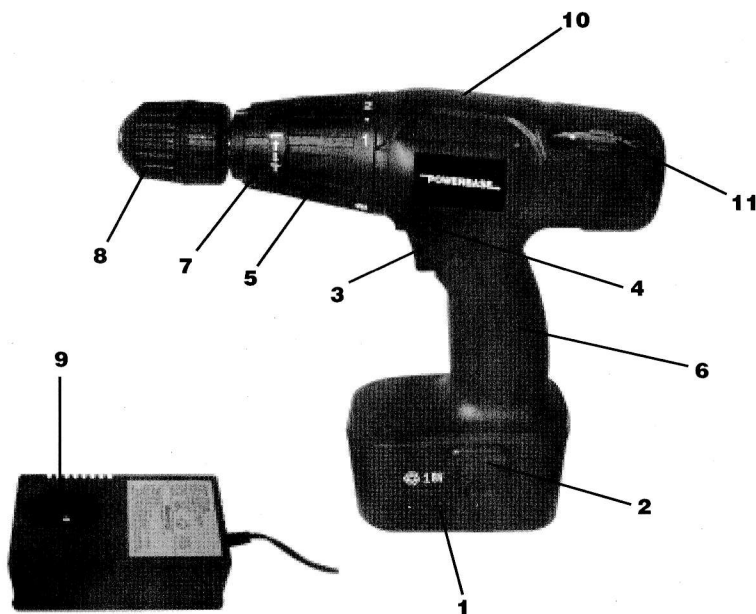
If in doubt consult a qualified electrician.

There are no user serviceable parts inside this product except those referred to in the manual. Always refer servicing to qualified service personnel. Never remove any part of the casing unless qualified to do so; this unit contains dangerous voltages.

WARNING!

For your protection if this tool is to be used outdoors, it should not be exposed to rain or used in damp locations. Do not place the tool on damp surfaces, use a workbench if available. For added protection use a suitable residual current device (R.C.D.) at the socket outlet.

(Pic.1)



Cordless Drill

Components and Controls (Pic.1)

- 1 Battery
- 2 Battery release catch
- 3 On/Off trigger
- 4 Forward/ reverse
- 5 Torque adjuster
- 6 Hand grip
- 7 Hammer action selector collar
- 8 Keyless chuck
- 9 Charger
- 10 Drill C/W battery
- 11 Screw driver bits

1 Hour fast charge

Electrical information for charger unit.

This 220-240V~50Hz charger is double insulated and therefore does not require a connection to Earth. It is a sealed unit fitted with an internal fuse which cannot be replaced.

There are no user serviceable parts inside this charger. Never remove any part of the casing unless qualified to do so; this unit contains dangerous voltages. If in doubt consult a qualified electrician.

For your protection do not expose this charger to rain or use in damp locations

Do not place the charger on damp or wet surfaces, use a workbench if available. For added protection use a suitable Residual current device (RCD) at the mains socket outlet.

This charger unit is intended for use with this specific machine only and must not be used for any other use. Do not use any other charger for charging these batteries.

Warning!

Never use the charger in your home, always charge batteries on a bench in your workshop. Never exceed the charging time specified in the manual, this could damage the battery and the charger.

Battery disposal

When the battery fails to charge or maintain its charge its usable life is exhausted. The battery should be disposed of in an environmentally friendly way. Do not dispose of the battery in the household disposal system. Take the battery to a re-cycling or specialised centre for disposal

Warning!

Do not dispose of the battery by incineration as the battery will explode.

Charging the Battery

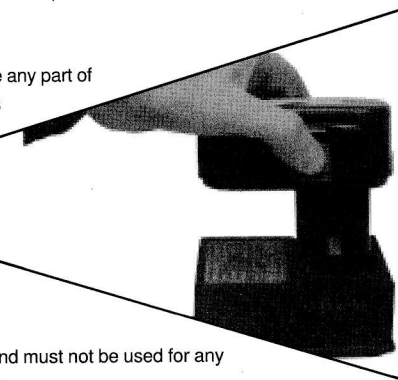
Note: During charging the battery will become warm as it is being charged.

The battery supplied with this power tool contains a test charge only and must be fully charged before use.

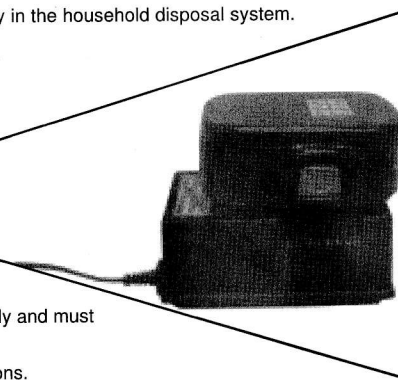
First read the safety instructions then follow the charging instructions.

1. Plug the charger into a standard 220-240V~50Hz mains socket outlet.
2. Do not allow the cable to become knotted or kinked.
3. This charger and battery pack are specifically designed to work together. DO NOT attempt to charge any other brand of cordless tool or battery pack with this charger.
4. Note the battery has a keyway which allows it to fit into the charger only one way.
5. Place the battery pack into the charger base (Pic.A & B).

(Pic.A)

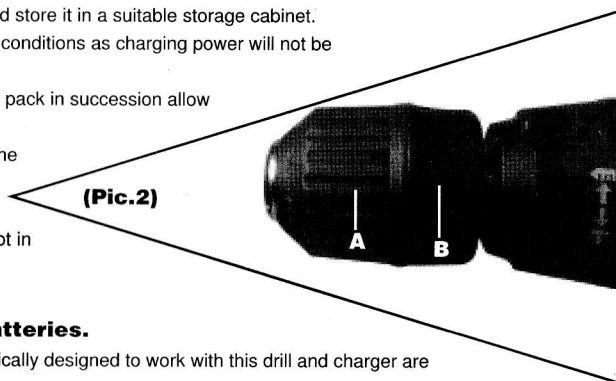


(Pic.B)



POWERBASE

6. The red light will illuminate
 7. Time the charge for 1 hour only.
 8. Unplug the charger when not in use and store it in a suitable storage cabinet.
 9. Avoid charging your battery in freezing conditions as charging power will not be sufficient.
 10. When charging more than one battery pack in succession allow at least 30 minutes for the charger to cool down before charging the additional battery.
- Always remove the battery pack and store it safely when the cordless drill is not in use.

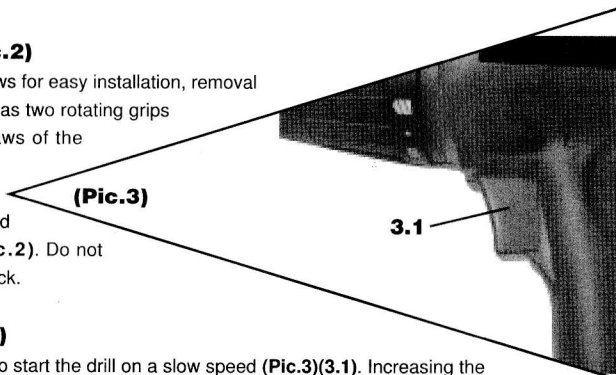


Additional or replacement batteries.

Additional or replacement batteries specifically designed to work with this drill and charger are available from your service centre.

Keyless chuck operation (Pic.2)

The keyless chuck on your drill/driver allows for easy installation, removal and locking of bits and drills. The chuck has two rotating grips (Pic.2) ("A" & "B") To open the jaws of the chuck, hold grip "B" and with your free hand rotate grip "A" (Pic.2). To close the jaws of the chuck, hold grip "B" and with your free hand rotate grip "A" (Pic.2). Do not use unnecessary force to tighten the chuck.



Variable speed control (Pic.3)

Simply apply light pressure to the trigger to start the drill on a slow speed (Pic.3)(3.1). Increasing the pressure on the switch will increase the speed of the drill.

Forward & Reverse Switch (Pic.4)

This feature is selected via a slide switch located above the trigger (Pic.4) (4.1). To select direction of the drill rotation simply push the button fully in on the left side for reverse rotation. To change to forward rotation, push the button fully in on the right side of the handle. Please note:

As a safety precaution from accidental engagement while being carried pushing the forward/reverse button into the middle or neutral position will render the drill inoperative.

Torque Adjustments (Pic.5)

This feature allows setting of the torque or tightening power of your drill/driver and depending on the

POWERBASE

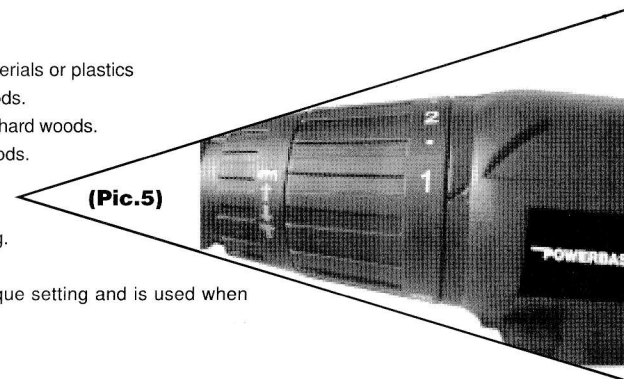
application, various levels of driving power are required. When driving larger screw diameters a higher torque power is required to drive the screw until it's properly seated.

When the selected torque is reached the chuck will stop rotating.

There are 16 torque settings:

- 1-3 For driving small screws.
- 4-5 For driving screws into soft materials or plastics
- 6-7 For driving screws into soft woods.
- 8-9 For driving screws into medium/hard woods.
- 10-13 For driving screws into hard woods.
- 14-16 For powerful screw driving or drilling metal or using spade (hole) bits.

NOTE: Always start on the lowest setting.



The Drill symbol gives the highest torque setting and is used when drilling and for driving larger screws.

Hammer action (Pic.6)

This Drill has the additional feature of hammer action. Rotate the torque ring in an anti-clockwise direction until the drill symbol aligns with the arrow on the drill body (Pic.6) (6.1). Located on the hammer drill/drill ring is the hammer symbol (Pic.6) (6.2). Rotate the ring upwards to select hammer action and downwards to select normal drilling mode. When using the drill in hammer mode always use masonry drill bits recommended by your supplier.

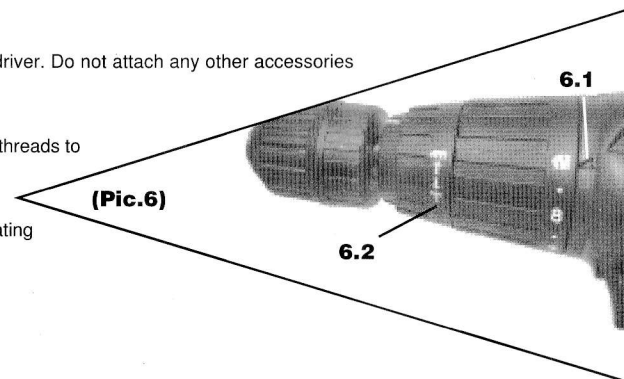
Warning!

The machine is designed as a drill and driver. Do not attach any other accessories other than those recommended.

Hint For Using Screw Driver

Use paraffin or candle wax on the screw threads to speed application.

Whenever possible drill small diameter pilot holes for faster screwing and eliminating the possibility of splitting the wood.



POWERBASE

Technical Specification

Charger input voltage	220-240V~50 Hz
Charger output voltage	18V DC
Battery voltage	18 volts
Battery charge time	1 Hour
Torque settings	16+1
Chuck size	1 - 10mm
Hammer action	Yes
No load speed	0-900RPM
Sound pressure level	Lp63.5dB(A)
Sound power level	Lw76.5dB(A)
Vibration	0.598m/min ²
Drilling capacity	
Wood	25mm
Steel	10mm
Masonry	13mm

CE Declaration of Conformity

The undersigned, authorised by Nutool UK, declares that the product as detailed in this manual and manufactured by Nutool Holdings UK, (Rockingham Way, Redhouse Interchange Doncaster UK DN6 7FB) is, where applicable, in accordance with the European Directives 98/37/EC (Machinery Directive), 73/23/EEC (Low Voltage Directive), 89/336/EEC (Directive on electromagnetic compatibility), 93/68/CEE (CE Marking Directive).

Produced for Homebase Ltd.

Surrey

England

SM6 0HB

Tel 0800 0858 392

