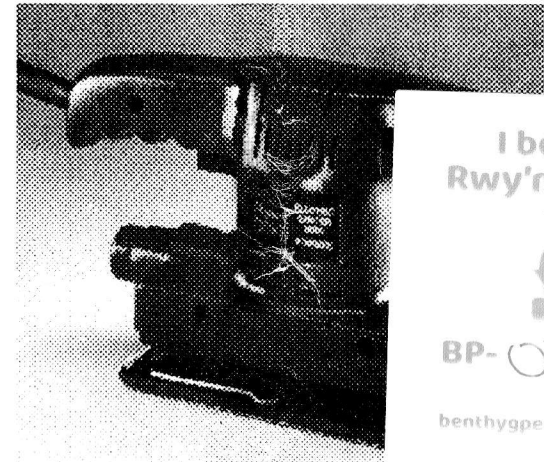


Orbital Sander
Model PDW5005

Power DEVIL



I belong to
Rwy'n perthyn i



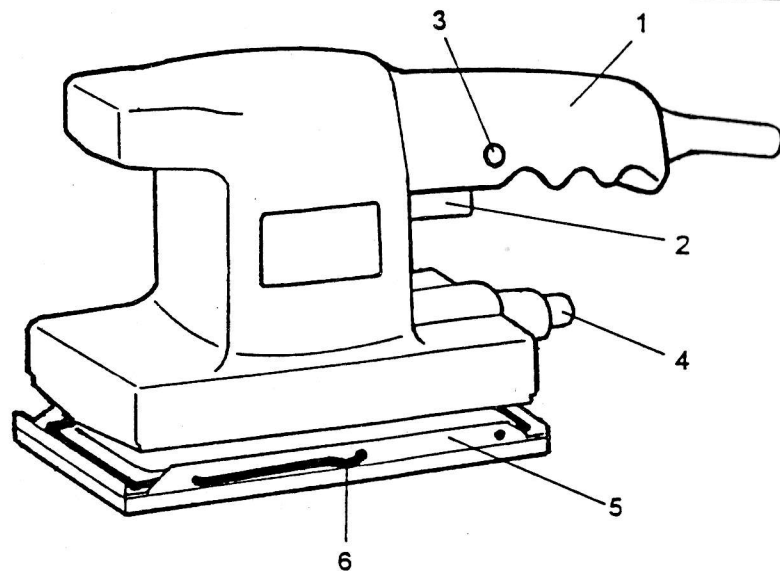
BP-0298

benthygpenarth@gmail.com

User Guide

Please read this manual **BEFORE** using the
Sander

USER GUIDE



1. Handle
2. Trigger switch
3. Safety Lock off switch
4. Dust Outlet
5. Metal Base
6. Sandpaper Securing clips

SPECIFICATIONS

PDW5005

Rated voltage:	240V – 50 Hz
Motor power:	180 W
Revolutions per minute:	12000 rpm
Weight:	1.5 kg

IMPORTANT

- * Please read these instructions carefully.
- * Ensure that the Voltage from your mains supply corresponds with that on the rating plate.
- * Always inspect the tool before use.
- * Do Not overload the tool, by putting too much pressure on to the unit whilst sanding.
- * Do Not use this Orbital Sander:
 - 1) In the Rain.
 - 2) If the switch has broken.
 - 3) If there are any breaks or cracks in the cable.
- * Keep out of reach of children.
- * Always keep the tool clean.

BEFORE USE

Fitting a sheet of sandpaper

- * To fit a sheet of sandpaper to this unit carry out the following procedure.
- * Pull out the Sandpaper securing clips on either side of the metal base and rotate downwards (clockwise)
- * Place the narrow end of a sheet of sandpaper under one of the securing bars.
- * Rotate the securing pin so that the sandpaper is held securely, Repeat this process at the other end making sure that the sandpaper is held tightly against the metal base.

Note: Only use standard sanding sheets.

CONNECTING TO POWER

Before switching on make sure that the voltage of your electricity supply is the same as that indicated on the rating plate.

This appliance may be fitted with a non-rewireable plug. If it is necessary to change the fuse in a non-rewireable plug the fuse cover must be refitted. If the fuse cover is lost or damaged, the plug must not be used until a replacement available from the appliance manufacturer is obtained. It is important that the colour of the replacement fuse cover corresponds with the colour marking on the base of the plug.

If the plug has to be changed because it is not suitable for your socket, or becomes damaged, it should be cut off and an appropriate plug fitted following the wiring instructions below. The plug removed must be disposed of safely as insertion into a 13A socket is likely to cause an electrical hazard.

For your own safety read the following instructions carefully before attempting to connect this unit to the mains.

Mains (AC) Operation

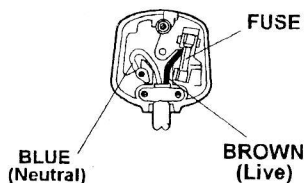
This unit is designed to operate on 230 to 240 V, 50 Hz current only. Connecting it to other power sources may damage the unit

The wires in this mains lead are coloured in accordance with the following code :

BLUE = NEUTRAL BROWN = LIVE

Important

As the colours of the wires in the mains lead of this appliance may not correspond with the coloured markings identifying the terminals in your plug, proceed as follows:-



The wire which is coloured blue must be connected to the terminal which is marked with the letter N or coloured black.

The wire which is coloured brown must be connected to the terminal which is marked with the letter L or coloured red.

No connection is to be made to the earth terminal of the plug.

If a 13 Amp (BS 1363) Plug is used, a 5 Amp Fuse must be fitted, or if any other type of Plug is used a 5 Amp Fuse must be fitted, either in the Plug, or on the Distribution Board.

Caution

To prevent electric shock disconnect from the mains before removing cover. No user serviceable parts inside. Refer servicing to qualified service personnel.

Safety Precaution

Do not allow this unit to be exposed to rain or moisture.

Mains Supply: 230 to 240 Volts 50 Hz - AC only.



This symbol means that this unit is double insulated. An earth connection is not required.

SAFETY

- * Please Read these instructions thoroughly before using the Orbital Sander
- * Always wear protective Gloves and safety Goggles.
- * Keep people at least 3m (10 ft) from where you are working.
- * Do not let children use this appliance
- * Do not use this appliance if there is any damage or cracks in the power cable.
- * If possible use the Orbital Sander outside or in a well ventilated room.
- * Do Not use the Sander in the rain.
- * If you are Sanding down plaster, please note that plaster itself creates a lot of dust and you should therefore wear a face mask.
- * Please Read these instructions thoroughly before using the Orbital Sander

USING THE ORBITAL SANDER

Switching On

To start the unit, Press and hold the Lock off button, then press the trigger switch.

NOTE: Do not switch on the sander whilst it is resting on any thing. If you do you may damage the sander and/or the material it was resting on.

Using the Sander

1. To use the sander, switch on the unit, when the sander has reached maximum speed place it onto the material to be sanded.
2. Keep the sander moving to avoid the material from burning.

Switching OFF

To switch off the unit, release the trigger switch.

USING THE DUST EXTRACTION BAG

- * Slide the dust collection bag over the dust outlet,
- * Pull the dust bag off and empty when it becomes full.

CARE AND MAINTAINANCE

- * To clean the unit, wipe the outer casing using a damp cloth.
- * Do not use abrasive cleaners, thinners etc. on this product.
- * There are no user serviceable parts in this product.

Refer servicing to a qualified service personnel (see back page).

GUARANTEE

This product is guaranteed for twelve months from the date of original purchase. Any defect that arises due to faulty materials or workmanship will be repaired free of charge during this period by the dealer from whom you purchased the unit. The guarantee is subject to the following provisions:-

The guarantee does not cover accidental damage, misuse, cabinet parts, knobs or consumable items such cutting discs.

The product must be correctly installed and operated in accordance with the instructions contained in this manual. It must be used solely for domestic purposes and within the boundaries of the United Kingdom.

The guarantee will be rendered invalid if the product is resold or has been damaged by inexpert repair.

POWER DEVIL disclaims any liability for incidental or consequential damages.

The guarantee is in addition to and does not diminish your statutory or legal rights.

SERVICING INFORMATION

Should your Power Devil product require repair during the guarantee period please return it to the place of purchase. You will need to provide your receipt of purchase to obtain a free of charge repair or replacement.

After the guarantee has expired, Power Devil provides a fixed charge repair service.

Corded Power Drills	. 21.00
Cordless Power Drills	. 24.00
Cordless Power Screwdrivers	. 12.00
Power Saws	. 19.00
Power Sanders	. 19.00

Prices correct at time of publication but are subject to change without notice. Price includes all parts, labour and return postage.

Simply return your unit to the address shown below with your cheque for the appropriate amount made payable to :-
Harvard International Limited.

Power Devil Service Dept.
Units 2-3 Mitchell Way
Portsmouth
Hampshire
PO3 4PR

Helpline Number 01705-391-099